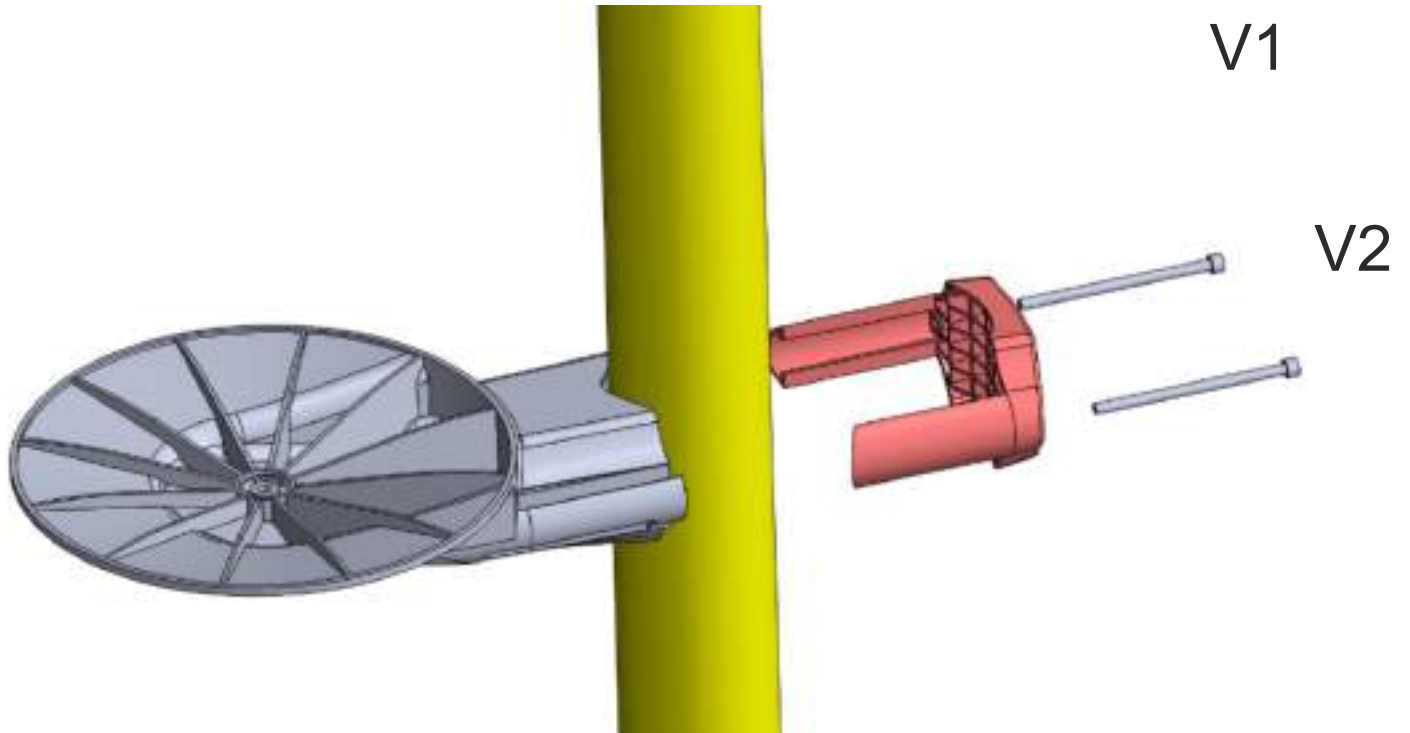


SEM[®]BOX

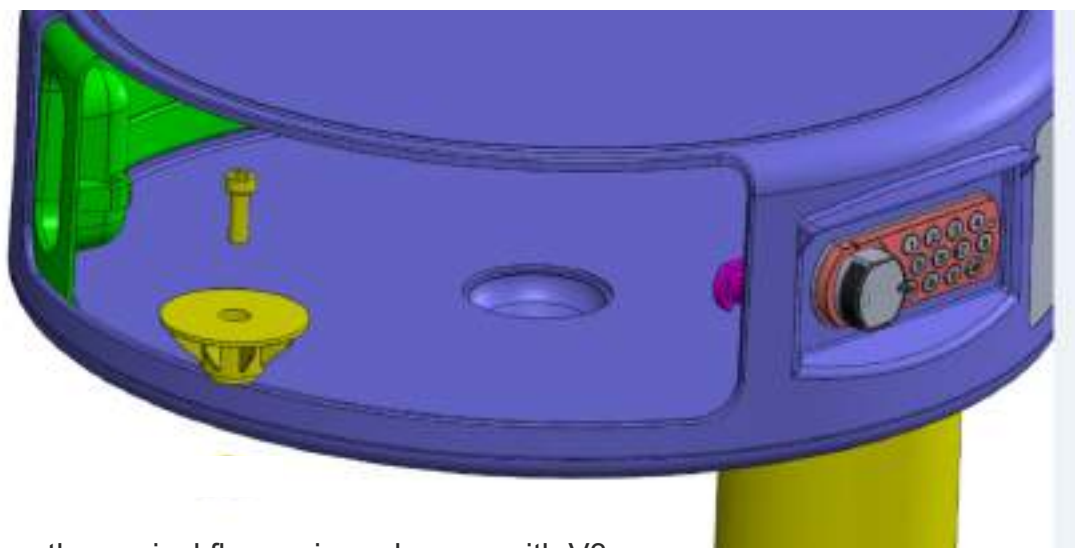
Let and go

Quick Installations

Diameter of pillar from 2,5 cm to 10cm



Squize the support plate to the pillar with the screw V1 and V2



Place the conical flange in and screw with V3